

CCPRO10-A

Configurable Constant Current LED Driver 0-10V and Phase Dim, 10W



IP20



High efficiency, flicker free dimming.

With its wide operating window, multiple dimming control protocols, configurable current, and optional enclosure, the CCPR010A provides the user with a high level of flexibility.

Haute efficacité, gradation sans scintillement.

Avec sa large fenêtre de fonctionnement, ses multiples protocoles de contrôle de gradation, son courant configurable et son boîtier en option, le CCPR010A offre à l'utilisateur un haut niveau de flexibilité.

Atenuación sin parpadeo de alta eficiencia.

Con su amplia ventana operativa, múltiples protocolos de control de atenuación, corriente configurable y gabinete opcional, el CCPR010A brinda al usuario un alto nivel de flexibilidad.

Specifications

Electrical

Input	100-277VAC, 50/60 HZ
Power Factor	0.95
Output	3-42VDC Constant Current, Class 2
Max. LED Power Output	10W
Drive Current (mA)	150, 200, 250, 300, 350, 400, 450, 500mA

Environmental

Ingress Protection	IP20
Operating Temperature	-20°C ~ +45°C
Lifetime	50,000 HR
Integrated Protection	Thermal Cutoff, Short Circuit, Overload, And Reverse Polarity

Control

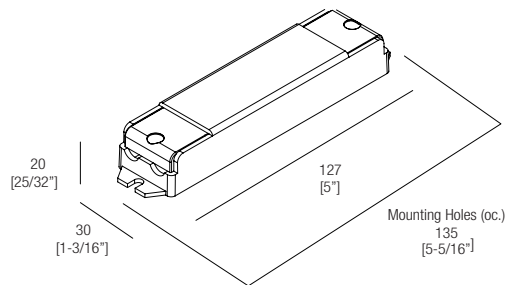
No. of Channels	1
Control Protocols	Phase, 0-10V
Dimming Range	100% - 1%

Mechanical

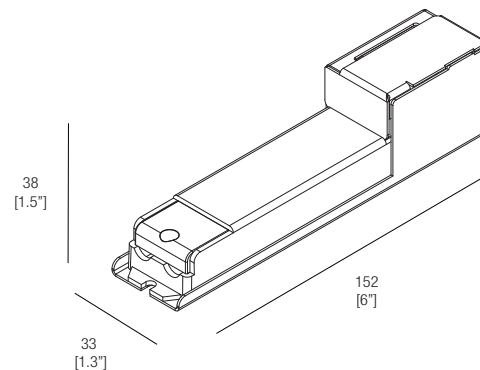
Housing Materials	PMMA, Polycarbonate
Fixing Type	Screw Down
Connection Type	12-22 AWG Screw Terminal Block
Programming	Dip Switch Configurable

Dimensions

CCPR010A-N
Without Enclosure



CCPR010A
BX Enclosure, 7/8" KOs



CCPRO40-A

Configurable Constant Current LED Driver 0-10V and Phase Dim, 40W



IP20



High efficiency, flicker free dimming.

With its wide operating window, multiple dimming control protocols, configurable current, and optional enclosure, the CCPRO40A provides the user with a high level of flexibility.

Haute efficacité, gradation sans scintillement.

Avec sa large fenêtre de fonctionnement, ses multiples protocoles de contrôle de gradation, son courant configurable et son boîtier en option, le CCPRO40A offre à l'utilisateur un haut niveau de flexibilité.

Atenuación sin parpadeo de alta eficiencia.

Con su amplia ventana operativa, múltiples protocolos de control de atenuación, corriente configurable y gabinete opcional, el CCPRO40A brinda al usuario un alto nivel de flexibilidad.

Specifications

Electrical

Input	100-277VAC, 50/60 HZ
Power Factor	0.95
Output	3-60VDC Constant Current, Class 2
Max. LED Power Output	40W
Drive Current (mA)	250, 300, 350, 400, 450, 500, 550, 600 650, 700, 750, 800, 850, 900, 1050, 1400mA

Environmental

Ingress Protection	IP20
Operating Temperature	-20°C ~ +45°C
Lifetime	50,000 HR
Integrated Protection	Thermal Cutoff, Short Circuit, Overload, And Reverse Polarity

Control

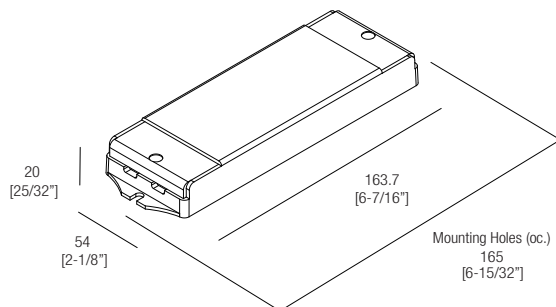
No. of Channels	1
Control Protocols	Phase, 0-10V
Dimming Range	100% - 1%

Mechanical

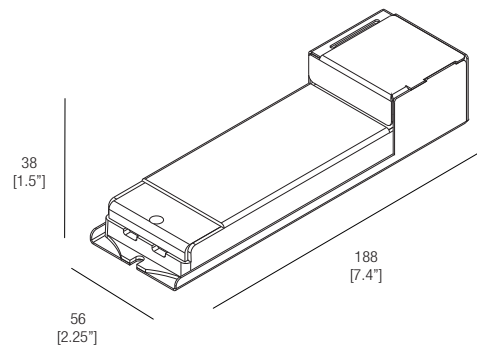
Housing Materials	PMMA, Polycarbonate
Fixing Type	Screw Down
Connection Type	12-22 AWG Screw Terminal Block
Programming	Dip Switch Configurable

Dimensions

CCPRO40A-N
Without Enclosure

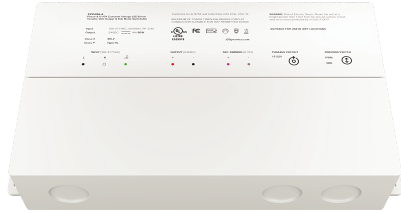


CCPRO40A
BX Enclosure, 7/8" KOs

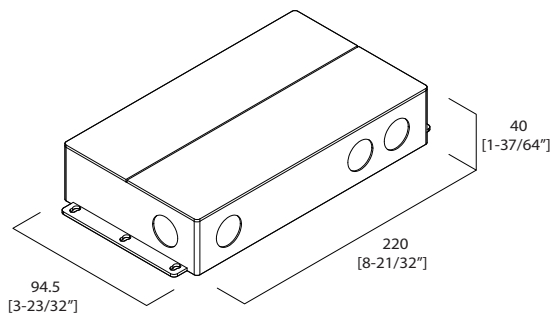


CV2496A

Constant Voltage 24VDC LED Driver, 0-10V and Phase Dimming, 96W



Dimensions



The FLEXALIGHTING A-Series is an innovation in 24VDC Constant Voltage LED drivers. The CV2496 has unparalleled control features, multiple dimming protocols, and NEMA 3R quality construction.

Optimized for use with FLEXALIGHTING LVT System and DCVI Range.

Electrical

Input	100-277VAC, 50/60 Hz
Power Factor	0.95
Output	24VDC Constant Voltage, Class 2
Max. LED Power Output	96W
Certifications	Class P, SELV, Type HL

Control

No. of Channels	1
Control Protocols	Phase, 0-10V
Dim Modes	VRD (Voltage Reduction) or PWM (Pulse Width Modulation)
Dimming Range	1 - 100%
Dimming Curve	Linear (Default)
Tunable VOUT	17-25VDC Adjustable

Mechanical

Housing Materials	Powdercoated (PPC) Carbon Steel
Fixing Type	Screw Down

Environmental

Ingress Protection	IP64
Operating Temperature	-20°C ~ +45°C
Lifetime	50,000 Hr
Integrated Protection	Thermal Cutoff, Short Circuit, Overload, and Reverse Polarity

Code Construction

CV2496A

La série J2D FLEXALIGHTING A est une innovation dans les drivers de LED à tension constante 24VDC. Le CV2496 possède des fonctions de contrôle inégalées, plusieurs protocoles de gradation et une construction de qualité NEMA 3R.

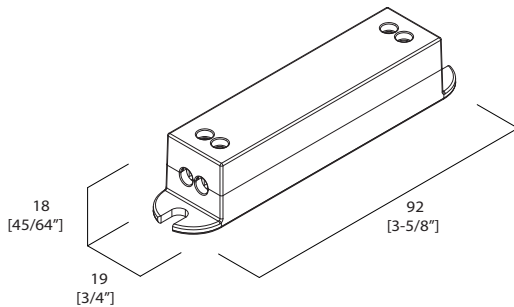
Optimisé pour une utilisation avec le système FLEXALIGHTING LVT et la gamme DCVI.

DCVI-B-1

Programmable CV to CC Converter, 0-10V and Phase Dim, 13W



Dimensions



The **FLEXALIGHTING** DCVI range is an adaptable Constant Voltage to Constant Current power solution designed to simplify the integration of drive and control for LED lighting systems. The DCVI-B is a UL Listed Open Device, and can be installed outside of a junction box making it ideal for both new construction and retrofit applications.

The DCVI range from **FLEXALIGHTING** offers multiple dimming and control options with excellent flicker performance. Protocols, dimming levels, and drive currents are configurable with the **FLEXALIGHTING** Probox programmer. Optimized for use with CV24 A Series LED Drivers.

Electrical

Input	24VDC Constant Voltage Class 2
Efficiency	92% at full load
Max. Standby Power	< 5mW
Output	3-27VDC Constant Current
Programmable Drive Current	50-700mA
Drive Current Tolerance	+/- 5%
Max. LED Power Output	13W

Control

No. of Channels	1
Control Protocols	Phase, 0-10V (Voltage Reduction Default)
Dimming Range	100% - 1%
Dimming Curve	Linear (Default)

Mechanical

Housing Materials	ABS, Stainless Steel 316L
Terminal Blocks	Screw-Down Type, 12-24AWG

Environmental

Ingress Protection	IP20
Operating Temperature	-20°C ~ +45°C
Lifetime	50,000 Hr
Integrated Protection	Thermal Cutoff, Short Circuit, Overload, and Reverse Polarity

Code Construction

DCVI-B-1	Drive Current	
	500	500mA Default Factory Preset at 50mA increments.
		Example.
		050 ... 50mA
		700 ... 700mA

La gamme **FLEXALIGHTING** DCVI est une solution d'alimentation de tension constante à courant constant adaptable conçue pour simplifier l'intégration de l'entraînement et du contrôle des systèmes d'éclairage à LED. Le DCVI-B est un appareil ouvert répertorié UL et peut être installé à l'extérieur d'une boîte de jonction, ce qui le rend idéal pour les nouvelles constructions et les applications de rénovation.

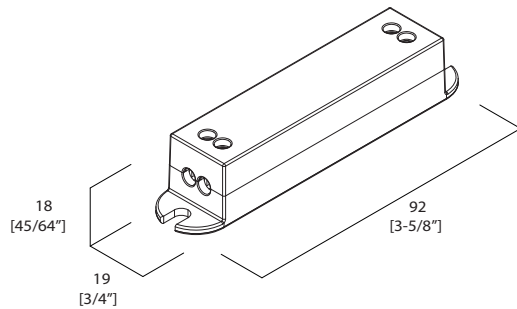
La gamme DCVI de **FLEXALIGHTING** offre de multiples options de gradation et de contrôle avec d'excellentes performances de scintillement. Les protocoles, les niveaux de gradation et les courants d'entraînement sont configurables avec le programmeur **FLEXALIGHTING** Probox. Optimisé pour une utilisation avec les pilotes de LED CV24 A Series.

DCVI-B-2

Programmable CV to CC Converter, 0-10V and Phase Dim, 26W



Dimensions



The FLEXALIGHTING DCVI range is an adaptable Constant Voltage to Constant Current power solution designed to simplify the integration of drive and control for LED lighting systems. The DCVI-B is a UL Listed Open Device, and can be installed outside of a junction box making it ideal for both new construction and retrofit applications.

The DCVI range from J FLEXALIGHTING offers multiple dimming and control options with excellent flicker performance. Protocols, dimming levels, and drive currents are configurable with the FLEXALIGHTING Probox programmer. Optimized for use with CV24 A Series LED Drivers.

Electrical

Input	24VDC Constant Voltage Class 2
Efficiency	98% at full load
Max. Standby Power	< 5mW
Output	28-42VDC Constant Current
Programmable Drive Current	50-700mA
Drive Current Tolerance	+/- 5%
Max. LED Power Output	26W

Control

No. of Channels	1
Control Protocols	Phase, 0-10V (Voltage Reduction Default)
Dimming Range	100% - 1%
Dimming Curve	Linear (Default)

Mechanical

Housing Materials	ABS, Stainless Steel 316L
Terminal Blocks	Screw-Down Type, 12-24AWG

Environmental

Ingress Protection	IP20
Operating Temperature	-20°C ~ +45°C
Lifetime	50,000 Hr
Integrated Protection	Thermal Cutoff, Short Circuit, Overload, and Reverse Polarity

Code Construction

DCVI-B-2	Drive Current	
	500	500mA Default Factory Preset at 50mA increments.
		Example.
		050 ... 50mA
		700 ... 700mA

La gamme FLEXALIGHTING DCVI est une solution d'alimentation de tension constante à courant constant adaptable conçue pour simplifier l'intégration de l'entraînement et du contrôle des systèmes d'éclairage à LED. Le DCVI-B est un appareil ouvert répertorié UL et peut être installé à l'extérieur d'une boîte de jonction, ce qui le rend idéal pour les nouvelles constructions et les applications de rénovation.

La gamme DCVI de FLEXALIGHTING offre de multiples options de gradation et de contrôle avec d'excellentes performances de scintillement. Les protocoles, les niveaux de gradation et les courants d'entraînement sont configurables avec le programmeur FLEXALIGHTING Probox. Optimisé pour une utilisation avec les pilotes de LED CV24 A Series.