

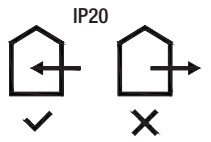
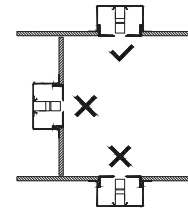
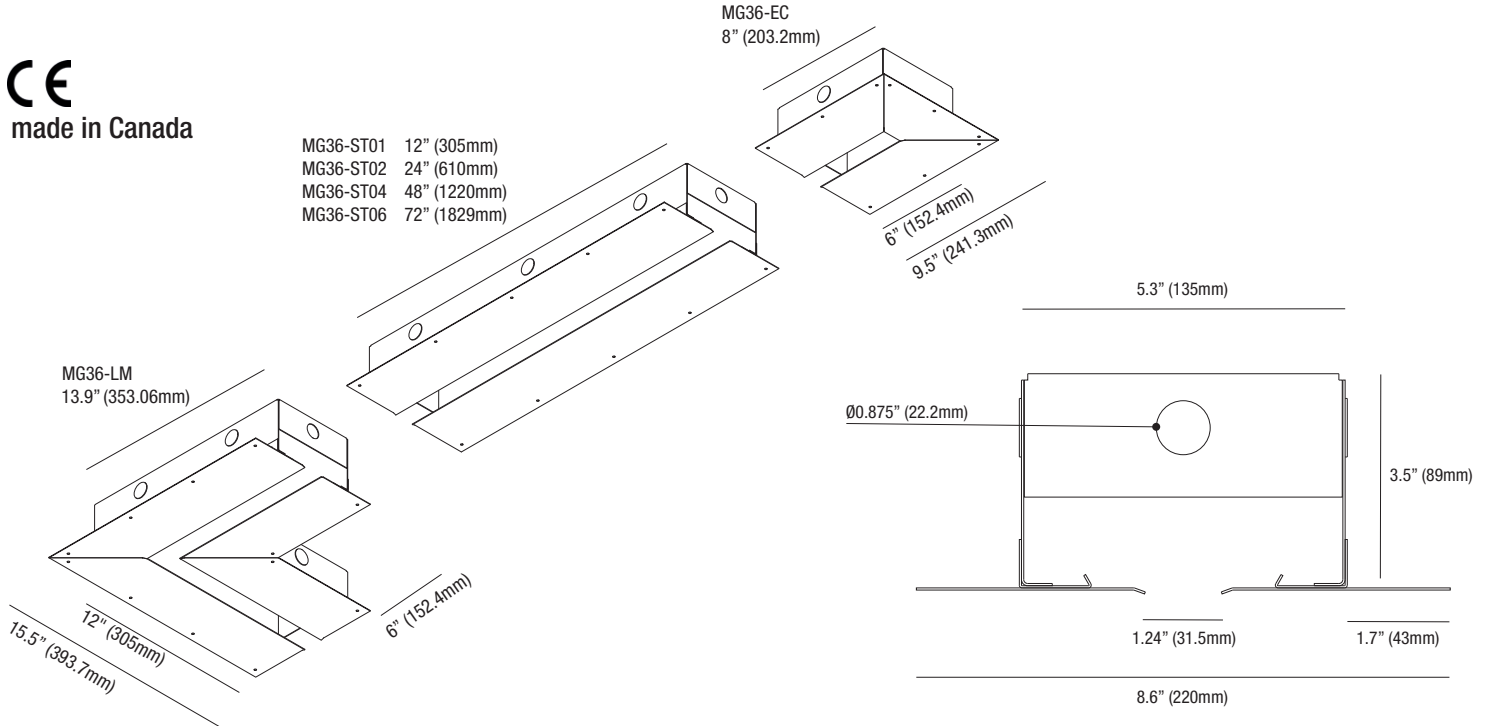
MAGGY 36

Linear system
design Lapo Grassellini

CE
made in Canada

- MG36-ST01 12" (305mm)
- MG36-ST02 24" (610mm)
- MG36-ST04 48" (1220mm)
- MG36-ST06 72" (1829mm)

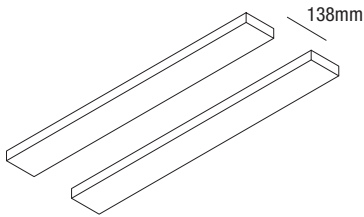
MG36-EC
8" (203.2mm)



The article is suitable inside use.

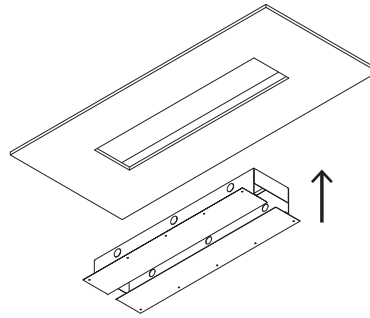


1



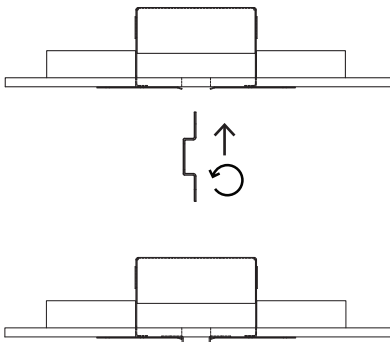
Frame desired location of Maggy module with 2x4 blocking to ensure proper fastening through drywall.

2



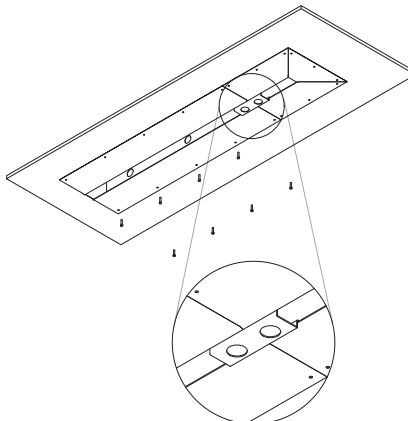
Install drywall and make a hole between blocking for placement of Maggy module.

3a



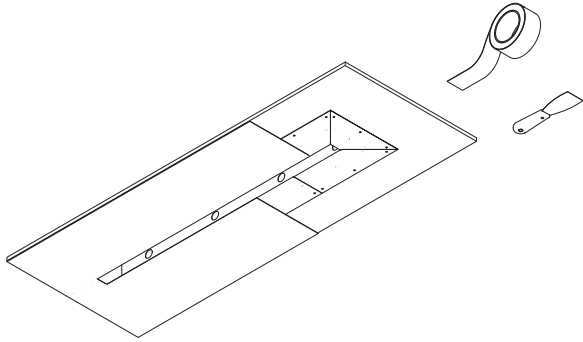
Position Alignment Gauge (provided with all Straight and End Modules) between perforated screens to ensure even spacing before fastening the Maggy module into the drywall using self-tapping screws.

3b



Use Alignment Gauge when joining two sections of Maggy module end to end to make clean, straight lines between two sections before plastering.

IMPORTANT: Using the 7/8" Knockouts, pull 16/2 low-voltage wire for remote located power supplies before proceeding to Step 4.



4

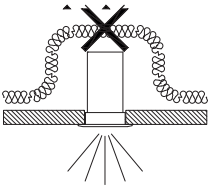
Properly tape all edges and seams of the perforated screens to prevent any cracking after plastering.

Plaster the Maggy module paying close attention to all connections for a completely seamless finish.

ANY MODIFICATION TO THIS FITTING IS FORBIDDEN WITHOUT AUTHORIZATION

The safety of the fitting is guaranteed only respecting the electrical north american norms and the mounting instructions in this box; therefore it is important to conserve them. The respect of these instructions is very important for the fitting and the main line life. Installation should be carried out by a suitable qualified person in accordance with good electrical practice and the appropriate national wiring regulations. Disconnect main voltage before maintenance operations.

GENERAL INSTALLATION RECOMMENDATION



Fixtures not suitable to be covered in thermally-insulating material.



Do not use water high pressure cleaners

If FLEXALIGHTING Srl agrees to receive back some fittings for laboratory testing, they MUST NOT BE DISASSEMBLED.



WEEE

Directive 2002/96/CE (Waste Electrical and Electronic Equipment - WEEE): information for users

The crossed out wheeled bin label that can be found on your product indicates that this product should not be disposed of via the normal household waste stream. To prevent possible harm to the environment or human health please separate this product from other waste streams to ensure that it can be recycled in an environmentally sound manner. For more details on available collection facilities please contact your local government office or the retailer where you purchased this product.